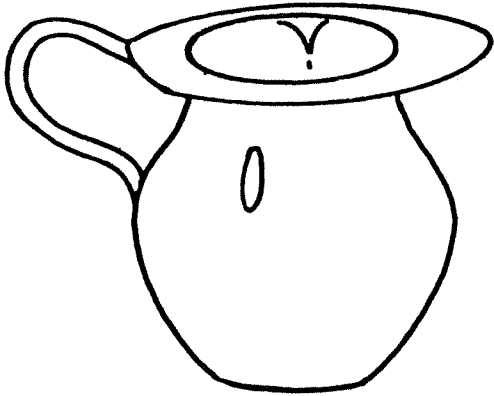


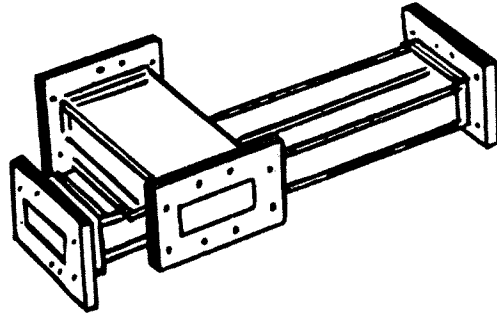
A FEW MORE CERROBEND APPLICATIONS

Fusible Chuck for Spinning Re-entrant or Bottle Neck Shapes



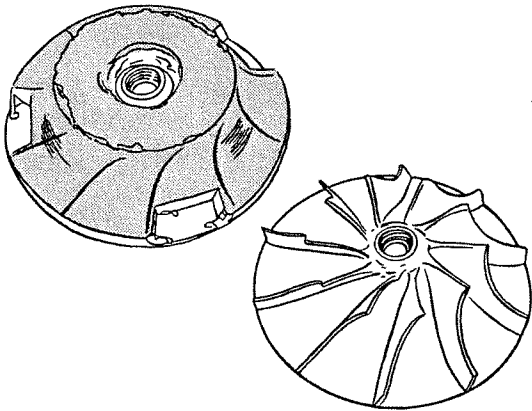
The chuck over which this aluminum pitcher was spun was made of Cerrobend. After spinning, the pitcher is immersed in hot water and the alloy melts out for re-use.

Mandrel for Electroforming Electronic Component



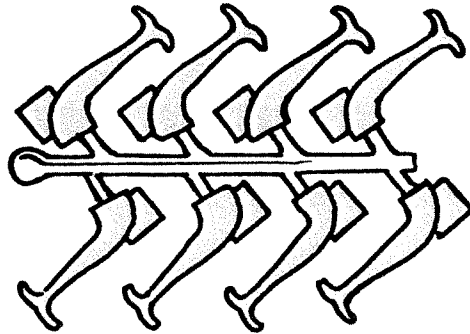
This microwave coupler was electroformed on a mandrel made of Cerrobend. On completion of the job, the alloy is melted out of the electroformed part.

Fixture for Supporting Thin Turbine Blades During Machining



The photograph shows a method of supporting the thin blades of turbine rotors in a matrix of Cerrobend, to prevent distortion in machining. Then the alloy is melted away for re-use.

Duplicate Patterns for Foundry Matchplates



Because of its low melting, non-shrinking qualities, Cerrobend is an excellent material for duplicating master patterns for foundry match plates. It casts well in sand, plaster, wood or other materials.

CERRO SALES CORPORATION

SUBSIDIARY OF CERRO CORPORATION

300 PARK AVENUE, NEW YORK 22, NEW YORK • TELEPHONE: MURRAY HILL 8-8822